

Model	PS140 / 250	Volt/Hz	Date of Modification	Serial Number
Modified Article	Parts catalog			
Reason for Modification	Parts catalog correction			

Please correct your parts catalog as follows:

Incorrect P/N	Correct P/N	Description	* Q'ty	Parts Catalog	
				Index No.	Page
A0092644	A0092644	Stopper Lever	1 → 1 (PS140) 3 → 3 (PS250)	13 → **	15
		Stopper Lever	1 → 1 (PS140) 3 → 3 (PS250)	** → 15	15
A0092646	A0092646	Release Lever	1 → 1 (PS140) 3 → 3 (PS250)	15 → **	15
		Release Lever	1 → 1 (PS140) 3 → 3 (PS250)	** → 13	15
A0695295	AX040058	Tray Lift Motor - DC1.9W	1 → 1 (PS140) 3 → 3 (PS250)	28	15

* Note: " Q'ty Used " equals to quantity of feed station.
 PS140 has a feed station, so, "Q'ty Used" is 1
 PS250 has three feed stations, so, "Q'ty Used is 3

** Note : Do not change index numbers in illustration on page 14. Correct only parts list on page 1 5.

T. Ito, Manager
 Copier Technical Support

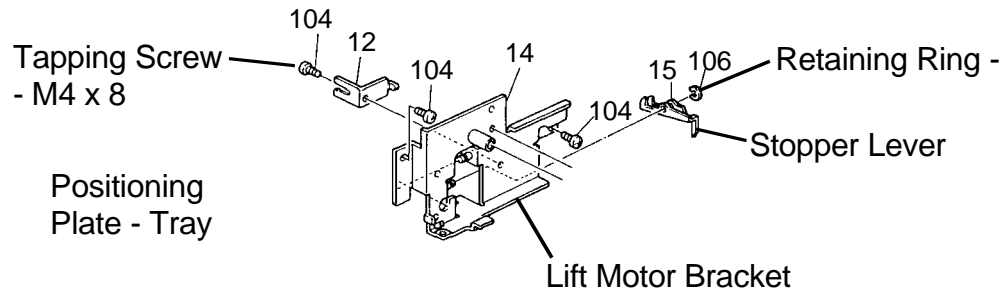
MODEL NAME	V/Hz	DESTINATION	CODE	SERIAL NUMBER
NRG CB313 x 1	115/60	CANADA etc.	A325-16	
NRG CB313 x 1	230/50	EUROPE etc.	A325-25	
INFOTEC CB33/1	230/50	EUROPE	A325-26	
RICOH PS 140	230/50	EUROPE etc.	A325-27	
NRG CB313 x 3	115/60	CANADA etc.	A326-16	
RICOH PS250	115/60	USA, CANADA	A326-17	
NRG CB313 x 3	230/50	EUROPE etc.	A326-25	
INFOTEC CB33/3	230/50	EUROPE	A326-26	
RICOH PS250	230/50	EUROPE etc.	A326-27	

Model	PS140/250	Volt/Hz	Date of Modification	Serial Number
Modified Article	Lift Motor Bracket			
Reason for Modification	To facilitate assembly in factory			

To facilitate assembly in factory, Lift Motor Bracket, Stopper Lever and Positioning Plate - Tray Release have been modified.

Old P/N	New P/N	Description	Q'ty	Interchangeability	Parts Catalog		Others
					Index No.	Page	
A0692760		Positioning Plate - Tray Release	* X → 0	X/	12	15	
A0092644		Stopper Lever	* X → 0	o/o as a set	15	15	
A0692755		Lift Motor Bracket	* X → 0		14	15	
04340080W		Tapping Screw - M4 x 8	* n → n-x		104	15	
07200060E		Retaining Ring - M6	* n → n-x		106	15	
	A0692841	Lift Motor Bracket	* 0 → X		/X	14	15

Note: "Q'ty Used" equals to quantity of feed station. If the machine has three feed stations (A326 / PS250), X=3. If the machine has a feed station (A325 / PS140), X=1.



T. Ito, Manager
Copier Technical Support

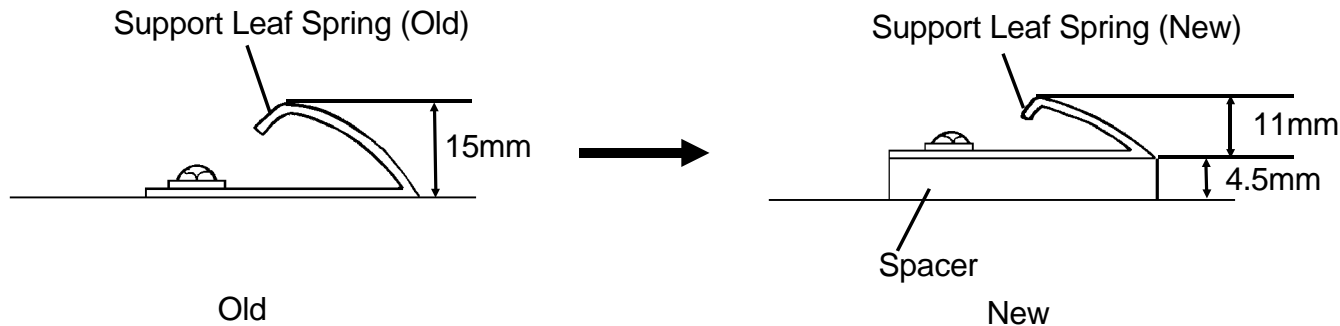
MODEL NAME	V/Hz	DESTINATION	CODE	SERIAL NUMBER
NRG CB313 x 1	115/60	CANADA etc.	A325-16	/
NRG CB313 x 1	230/50	EUROPE etc.	A325-25	
INFOTEC CB33/1	230/50	EUROPE	A325-26	
RICOH PS 140	230/50	EUROPE etc.	A325-27	
NRG CB313 x 3	115/60	CANADA etc.	A326-16	
RICOH PS250	115/60	USA, CANADA	A326-17	
NRG CB313 x 3	230/50	EUROPE etc.	A326-25	
INFOTEC CB33/3	230/50	EUROPE	A326-26	
RICOH PS250	230/50	EUROPE etc.	A326-27	

Model	PS140	Volt/Hz	Date of Modification	Serial Number
Modified Article	Support Leaf Spring			
Reason for Modification	To ensure function of magnet catch on guide plate			

When vertical transport guide plate is opened by a customer during jam removal and is not closed correctly then front door is closed, a leaf spring on the guide plate is pressed against the guide plate by a projection on the front door. This helps the magnet catch to catch the faced metal part and guide plate is closed completely. To ensure this fool proof function, a support leaf spring is modified.

Old P/N	New P/N	Description	Q'ty	Interchangeability	Parts Catalog	
					Index No.	Page
A3262818	A3252875	Support Leaf Spring	1 → 1	X/X	13	9
	A3252860	Spacer	0 → 1	X/O as a set	*24	9

* New Index



T. Ito, Manager
Copier Technical Support

MODEL NAME	V/Hz	DESTINATION	CODE	SERIAL NUMBER
NRG CB313 x 1	115/60	CANADA etc.	A325-16	2862070001
NRG CB313 x 1	230/50	EUROPE etc.	A325-25	2882070001
INFOTEC CB33/1	230/50	EUROPE	A325-26	3A80720001
RICOH PS 140	230/50	EUROPE etc.	A325-27	A3052070001
NRG CB313 x 3	115/60	CANADA etc.	A326-16	
RICOH PS250	115/60	USA, CANADA	A326-17	
NRG CB313 x 3	230/50	EUROPE etc.	A326-25	
INFOTEC CB33/3	230/50	EUROPE	A326-26	
RICOH PS250	230/50	EUROPE etc.	A326-27	

Model	PS140/250	Volt/Hz	Date of Modification	Serial Number
Modified Article	Bushing			
Reason for Modification	To reduce mechanical load to main motor			

To reduce mechanical load to main motor, the following bushings have been modified.

Old P/N	New P/N	Description	Q'ty Used	Inter-changeability	Parts Catalog	
					Index No.	Page
50530223	AA082021	Bushing - 8mm	6 → 0	x/o	1	7
		Bushing - 8 x 12 x 10mm	0 → 6		** 25	7

** New index

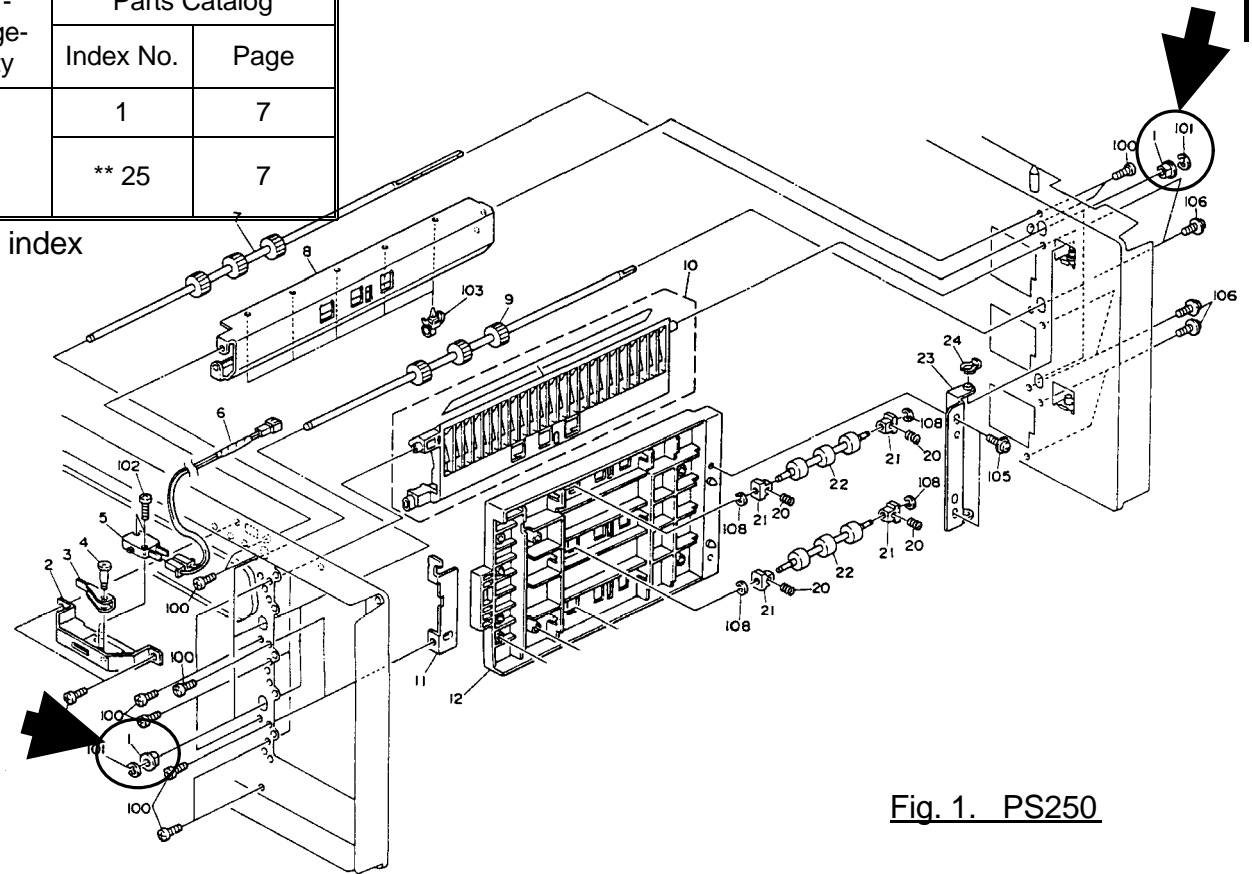


Fig. 1. PS250

Old P/N	New P/N	Description	Q'ty	Interchangeability	Parts Catalog	
					Index No.	Page
50530223	AA082021	Bushing - 8mm	2 → 0	x/o	1	9
		Bushing - 8 x 12 x 10mm	0 → 2		** 25	9

** New index

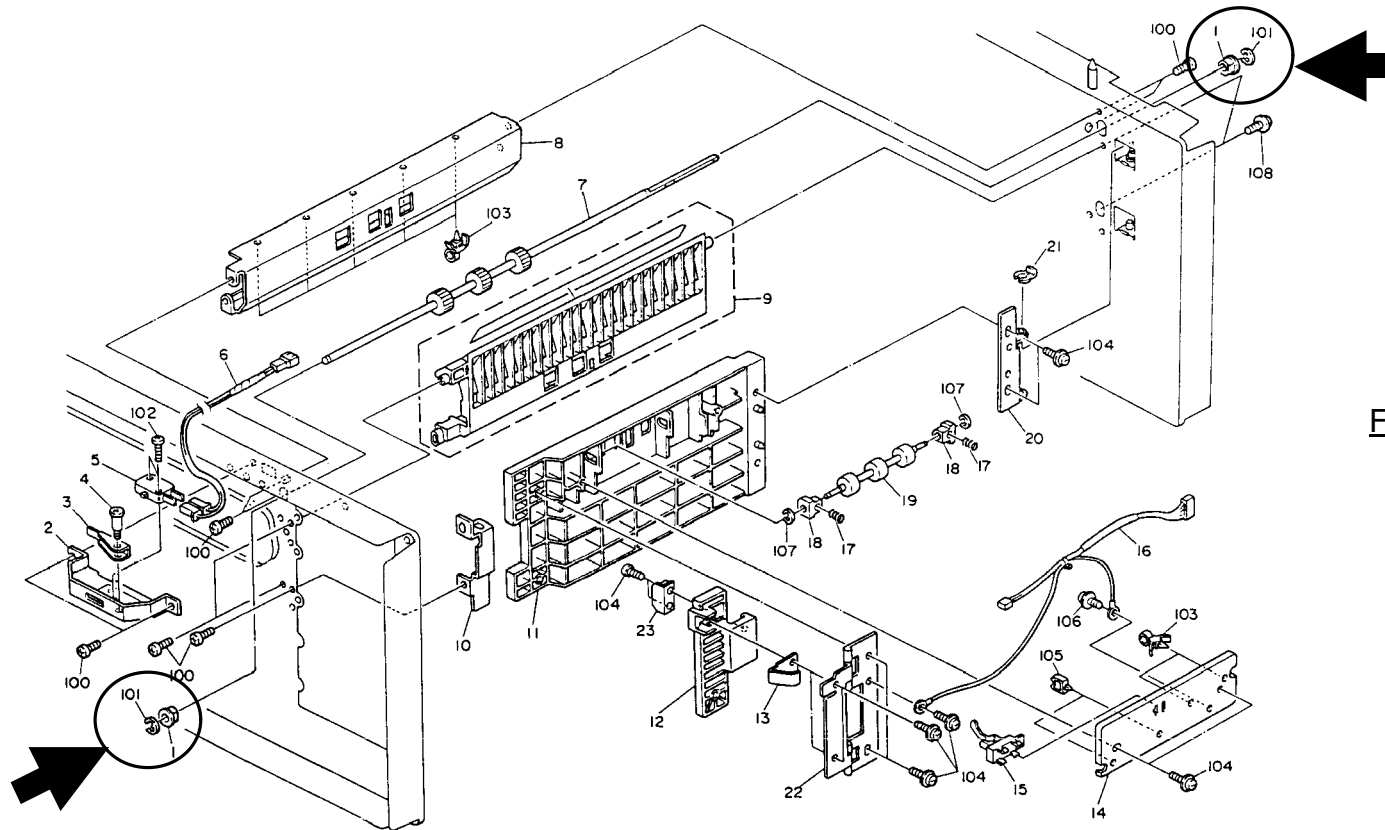


Fig. 2. PS140

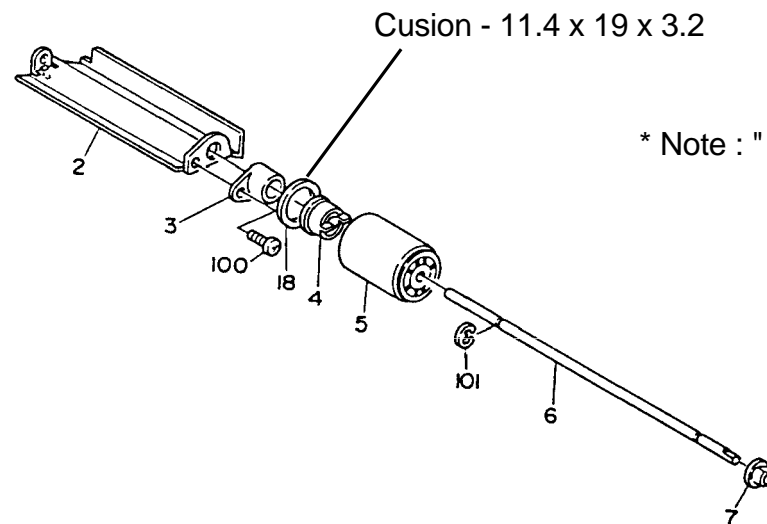
T. Ito Manager
Copier Technical Support

MODEL NAME	V/Hz	DESTINATION	CODE	SERIAL NUMBER
NRG CB313 x 1	115/60	CANADA etc.	A325-16	286209XXXX
NRG CB313 x 1	230/50	EUROPE etc.	A325-25	2882060001
INFOTEC CB33/1	230/50	EUROPE	A325-26	3A80620001
RICOH PS 140	230/50	EUROPE etc.	A325-27	A3052060001
NRG CB313 x 3	115/60	CANADA etc.	A326-16	2872060001
RICOH PS250	115/60	USA, CANADA	A326-17	A3062060001
NRG CB313 x 3	230/50	EUROPE etc.	A326-25	2792060001
INFOTEC CB33/3	230/50	EUROPE	A326-26	3A90620001
RICOH PS250	230/50	EUROPE etc.	A326-27	A3062060396

Model	PS140/250	Volt/Hz	Date of Modification	Serial Number
Modified Article	Cusion - 11.4 x 19 x 3.2			
Reason for Modification	Cusion - 11.4 x 19 x 3.2 is proved to be unnecessary.			

As a result of reliability test on succeeding model, cusion - 11.4 x 19 x 3.2 proved to be unnecessary. So, cusion - 11.4 x 19 x 3.2 has been removed.

Old P/N	New P/N	Description	Q'ty	Parts Catalog	
				Index No.	Page
A0692829	-----	Cusion - 11.4 x 19 x 3.2	1 → 0 (PS140) 3 → 0 (PS250)	18	13



* Note : " Q'ty Used " equals to quantity of feed station.
 PS140 has a feed station, so, " Q'ty Used " is 1
 PS250 has three feed stations, so, " Q'ty Used " is 3

T. Ito, Manager
 Copier Technical Support

MODEL NAME	V/Hz	DESTINATION	CODE	SERIAL NUMBER
NRG CB313 x 1	115/60	CANADA etc.	A325-16	286208XXXX
NRG CB313 x 1	230/50	EUROPE etc.	A325-25	2882060001
INFOTEC CB33/1	230/50	EUROPE	A325-26	3A80620001
RICOH PS 140	230/50	EUROPE etc.	A325-27	A3052060001
NRG CB313 x 3	115/60	CANADA etc.	A326-16	2872060001
RICOH PS250	115/60	USA, CANADA	A326-17	A3062060001
NRG CB313 x 3	230/50	EUROPE etc.	A326-25	2792060001
INFOTEC CB33/3	230/50	EUROPE	A326-26	3A90620001
RICOH PS250	230/50	EUROPE etc.	A326-27	A3062060396

Model	Paper Tray Unit for A7/ N440	Volt/Hz	Date of Modification	Serial Number
Modified Article	Bushing			
Reason for Modification	Change of vendor			

Due to a change of vendor, the bushing has been changed from # AE031005 to # AE031012.

Old P/N	New P/N	Description	Q'ty	Interchangeability	Index No.	Page
AE031005	AE031012	Bushing	3 (1) → 0	O/	21	15
		Bushing - M8	0 → 3 (1)	/O	21	15

T. Ito, Manager
Copier Technical Support

MODEL NAME	V/Hz	DESTINATION	CODE	SERIAL NUMBER
NRG CB313 x 1	115/60	CANADA etc.	A325-16	
NRG CB313 x 1	230/50	EUROPE etc.	A325-25	
INFOTEC CB33/1	230/50	EUROPE	A325-26	
RICOH PS 140	230/50	EUROPE etc.	A325-27	
SAVIN Paper Tray Unit 9330/9335/9270	115/60	USA, CANADA	A326-15	
NRG CB313 x 3	115/60	CANADA etc.	A326-16	
RICOH PS250	115/60	USA, CANADA	A326-17	
NRG CB313 x 3	230/50	EUROPE etc.	A326-25	
INFOTEC CB33/3	230/50	EUROPE	A326-26	
RICOH PS250	230/50	EUROPE etc.	A326-27	

Model	Paper Tray Unit for A7/ N440	Volt/Hz	Date of Modification	Serial Number
Modified Article	Stepped Screw			
Reason for Modification	Service facility			

To improve service facility, the thread part of the stepped screw has been made longer from 3.5mm to 8mm.

Old P/N	New P/N	Description	Q'ty	Interchangeability	Index No.	Page
A4991378		Stepped Screw - M4 x 6	3 → 0	O/	12	5
	AA143706	Stepped Screw - M4 x 8	0 → 3	/O	12	5

T. Ito, Manager
Copier Technical Support

MODEL NAME	V/Hz	DESTINATION	CODE	SERIAL NUMBER
NRG CB313 x 1	115/60	CANADA etc.	A325-16	
NRG CB313 x 1	230/50	EUROPE etc.	A325-25	
INFOTEC CB33/1	230/50	EUROPE	A325-26	
RICOH PS 140	230/50	EUROPE etc.	A325-27	
SAVIN Paper Tray Unit 9330/9335/9270	115/60	USA, CANADA	A326-15	
NRG CB313 x 3	115/60	CANADA etc.	A326-16	
RICOH PS250	115/60	USA, CANADA	A326-17	
NRG CB313 x 3	230/50	EUROPE etc.	A326-25	
INFOTEC CB33/3	230/50	EUROPE	A326-26	
RICOH PS250	230/50	EUROPE etc.	A326-27	

Model		Paper Tray Unit for A7 / N440					Volt/Hz	Date of Modification	Serial Number		
Modified Article		Vertical Transport Bracket / Guide Plate Hinge									
Reason for Modification		To ensure function of magnet catch on guide plate									
Draw No.	Old Parts No.	New Parts No.	Description	Rank	Q'ty Used Old→New	Inter-change-ability	Parts needed for replacement by new part			Parts Catalog	
							Part No.	Description	No.	Page	
	A3262826	A3262827	Guide Plate Hinge		1 → 1	X/O			23	7	
	A3262855		Vertical Transport Bracket		1 → 0	X/	X/O as a set		11	7	
		A3262856	Vertical Transport Bracket - Small		0 → 1	/X			11	7	
		A3262857	Vertical Transport Bracket - Large		0 → 1	/X			26	7	
		A0092667	Cushion - Exposure Glass		0 → 1				27	7	

Rank: A : Replace with new parts immediately. B : Replace with new parts at time of repair. C : Replace with new parts at time of overhaul.

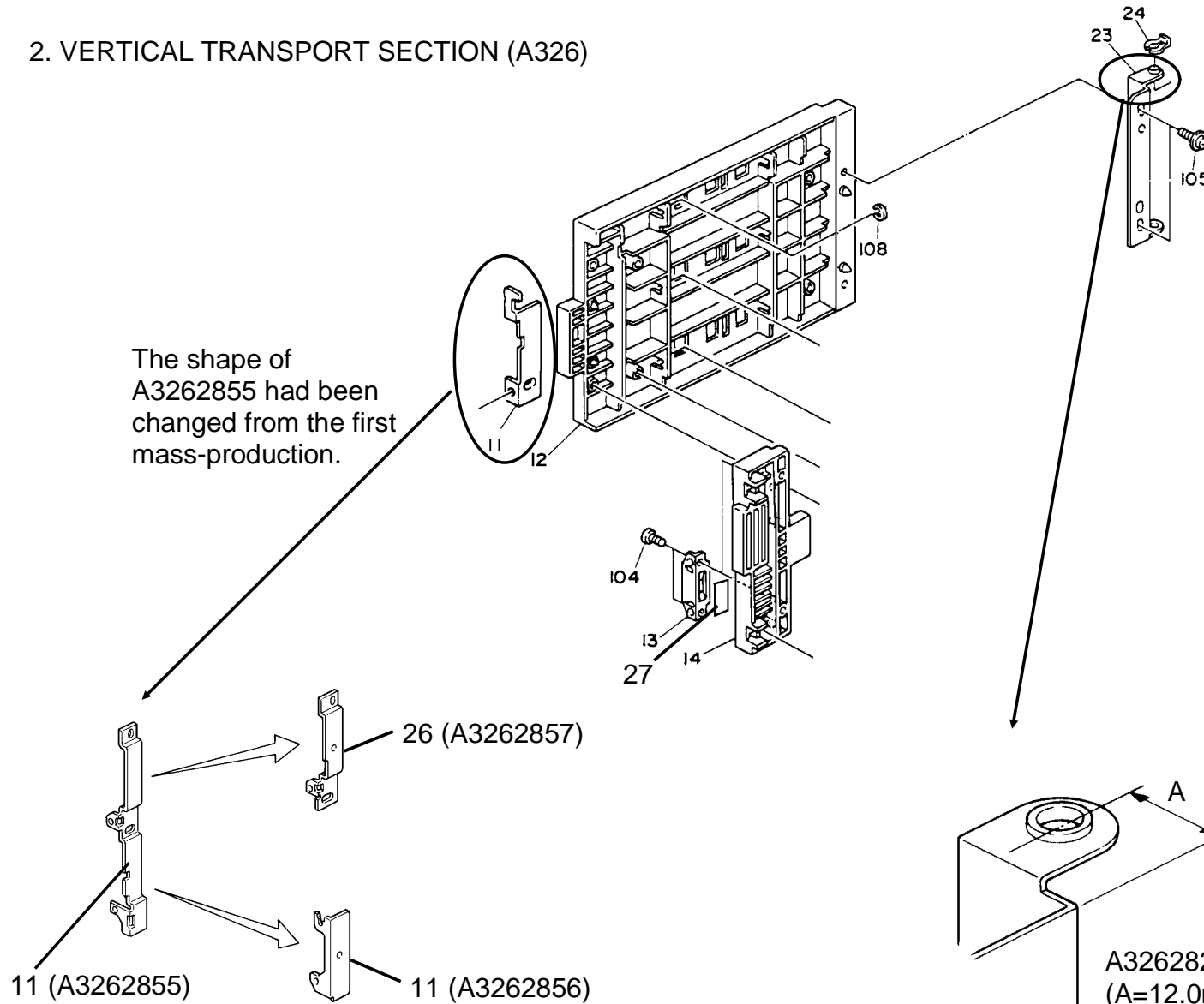
Interchangeability:

- (1) When old and new parts are not mutually interchangeable, use additional parts or an assembly part as indicated in "Parts needed for replacement by new part" to install the new part.
- (2) The mark to the left of the slash indicates whether the old part can be used in the new machine, and the mark to the right indicates whether the new part can be used in the old machine. x = Not interchangeable o = Interchangeable

DETAILS OF MODIFICATION

2. VERTICAL TRANSPORT SECTION (A326)

The shape of A3262855 had been changed from the first mass-production.



To ensure the paper transport ability at the vertical transport section, "Guide Plate Hinge" (Index no.23) has been changed as shown. To ensure the magnet catch function, a rubber cushion (Index no. 27) has been added and the vertical transport bracket (Index no. 11) has been separated into two parts as shown.

T. Ito, Manager
Copier Technical Support

A3262826 (A=12.0mm) → A3262827 (A=11.6mm)

MODEL NAME	V/Hz	DESTINATION	CODE	SERIAL NUMBER
NRG CB313 x 1	115/60	CANADA etc.	A325-16	
NRG CB313 x 1	230/50	EUROPE etc.	A325-25	
INFOTEC CB33/1	230/50	EUROPE	A325-26	
RICOH PS 140	230/50	EUROPE etc.	A325-27	
SAVIN Paper Tray Unit 9330/9335/9270	115/60	USA, CANADA	A326-15	From 1st production
NRG CB313 x 3	115/60	CANADA etc.	A326-16	From 1st production
RICOH PS250	115/60	USA, CANADA	A326-17	A3062030001
NRG CB313 x 3	230/50	EUROPE etc.	A326-25	2792030001
INFOTEC CB33/3	230/50	EUROPE	A326-26	3A90320001
RICOH PS250	230/50	EUROPE etc.	A326-27	A3062030326

Model	Paper Tray Unit for A7 / N440	Volt/Hz	Date of Modification	Serial Number
Modified Article	Guide Plate - Vertical Transport and Sensor Bracket			
Reason for Modification	To prevent the vertical guide plate from warping			

Draw No.	Old Parts No.	New Parts No.	Description	Rank	Q'ty Used Old→New	Inter-change-ability	Parts needed for replacement by new part		Parts Catalog	
							Part No.	Description	No.	Page
	A3262825	A3262823	Guide Plate - Vertical Transport		1 → 1	X/X	□	x/o as a set	12	7
	A3262830	A3262828	Sensor Bracket		1 → 1	X/X	□		17	7
		11050199	Clamp		n → n+4				103	7
		04340102W	Tapping Screw - M4 x 10		n → n+2				104	7

Rank: A : Replace with new parts immediately. B : Replace with new parts at time of repair. C : Replace with new parts at time of overhaul.

Interchangeability:

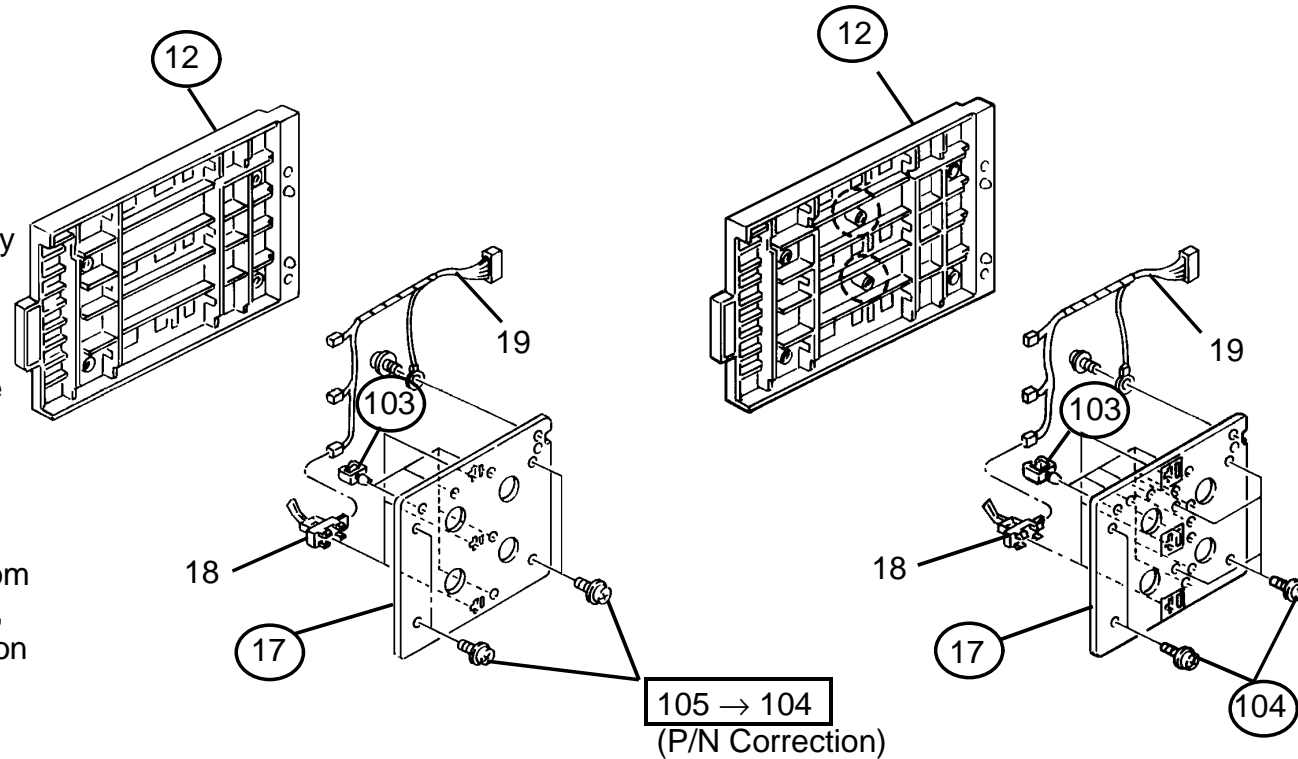
(1) When old and new parts are not mutually interchangeable, use additional parts or an assembly part as indicated in "Parts needed for replacement by new part" to install the new part.

(2) The mark to the left of the slash indicates whether the old part can be used in the new machine, and the mark to the right indicates whether the new part can be used in the old machine. x = Not interchangeable o = Interchangeable

DETAILS OF MODIFICATION

2. VERTICAL TRANSPORT SECTION

If the vertical transport guide plate (#12) warps, there is a slight possibility that tray relay sensors (#18) may chatter, causing paper jams. To prevent the vertical transport guide plate from warping, the number of screws fixing the guide plate on the sensor bracket (#17) has been increased from 4 to 6. To prevent the harness (#19) from being pinched by the screws, the number of clamp (#103) on the bracket has also been increased from 5 to 9.



NOTE: Parts catalog correction:
The index number of the screws for the sensor bracket should not have been 105 but 104.

T. Ito, Manager
Copier Technical Support

MODEL NAME	V/Hz	DESTINATION	CODE	SERIAL NUMBER
NRG CB313 x 1	115/60	CANADA etc.	A325-16	
NRG CB313 x 1	230/50	EUROPE etc.	A325-25	
INFOTEC CB33/1	230/50	EUROPE	A325-26	
RICOH PS 140	230/50	EUROPE etc.	A325-27	
SAVIN Paper Tray Unit 9330/9335/9270	115/60	USA, CANADA	A326-15	From 1st Production
NRG CB313 x 3	115/60	CANADA etc.	A326-16	2872060001
RICOH PS250	115/60	USA, CANADA	A326-17	A3062060001
NRG CB313 x 3	230/50	EUROPE etc.	A326-25	2792060001
INFOTEC CB33/3	230/50	EUROPE	A326-26	3A90620001
RICOH PS250	230/50	EUROPE etc.	A326-27	A3062060396

Model	Paper Tray Unit for A7 / N440	Volt/Hz	Date of Modification	Serial Number
Modified Article	Tray Lock Solenoid Assembly			
Reason for Modification	To facilitate servicing and assembling			

6. TRAY LIFT SECTION (A325 / A326) =Page 15=
 Firstly please correct your parts catalog as follows:

Index No.	Incorrect P/N	Correct P/N	Description	Q'ty per Assembly
5	A3262733	A3262773	Bracket - Tray Lock Solenoid	3 (1)

Index No.	Part No.	Description	Incorrect Q'ty per Assembly	Correct Q'ty per Assembly
6	A0692834	Sheet Slide	1	3 (1)

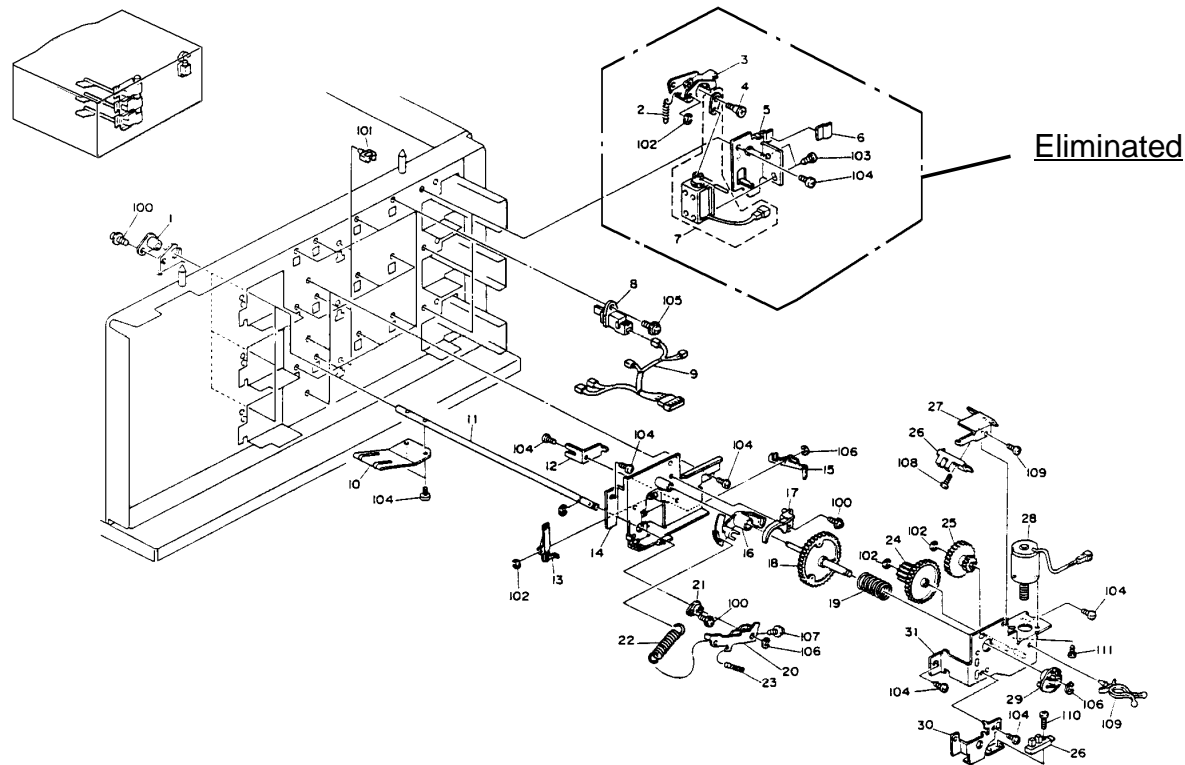
The quantities per assembly have been changed as follows:

Index No.	Incorrect P/N	Description	Q'ty per Assembly
2	AA060436	Tray Lock Spring	3 (1) → 0
3	A0692837	Tray Lock Lever	3 (1) → 0
4	AA143062	Shoulder Screw - M4	3 (1) → 0
5	A3262773	Bracket - Tray Lock Solenoid	3 (1) → 0
6	A0692834	Sheet Slide	3 (1) → 0
7	A0692773	Tray Lock Solenoid	3 (1) → 0

DETAILS OF MODIFICATION

Index No.	Incorrect P/N	Description	Q'ty per Assembly
102	07200040E	Retaining Ring - M4	n → n-3 (n-1)
103	03130040W	Philips Pan Head Screw - M3 x 4	n → n-6 (n-2)
104	04340080W	Tapping Screw - M4 x 8	n → n-3 (n-1)

As it is considered that customers seldom or never pull out the paper tray being used during copy jobs, the tray lock solenoid assembly has been eliminated to facilitate servicing and assembling.



T. Ito, Manager
Copier Technical Support

MODEL NAME	V/Hz	DESTINATION	CODE	SERIAL NUMBER
NRG CB313 x 1	115/60	CANADA etc.	A325-16	286307XXXX
NRG CB313 x 1	230/50	EUROPE etc.	A325-25	2882080001
INFOTEC CB33/1	230/50	EUROPE	A325-26	3A80820001
RICOH PS 140	230/50	EUROPE etc.	A325-27	A3052080001
SAVIN Paper Tray Unit 9330/9335/9270	115/60	USA, CANADA	A326-15	From 1st Production
NRG CB313 x 3	115/60	CANADA etc.	A326-16	287307XXXX
RICOH PS250	115/60	USA, CANADA	A326-17	A3062080034
NRG CB313 x 3	230/50	EUROPE etc.	A326-25	2792080001
INFOTEC CB33/3	230/50	EUROPE	A326-26	3A90820001
RICOH PS250	230/50	EUROPE etc.	A326-27	A3062080242

Model		Paper Tray Unit for A7/N440						Volt/Hz	Date of Modification	Serial Number	
Modified Article		Belt Tightener									
Reason for Modification		To standardize the belt tightener with copier (A326 only)									
Draw No.	Old Parts No.	New Parts No.	Description	Rank	Q'ty Used Old→New	Inter-changeability	Parts needed for replacement by new part		Parts Catalog		
							Part No.	Description	No.	Page	
	A0691120	A0691106	Belt Tightener - Main Drive		1 → 0	X/			3	17	
	AB030276		Tightener Pulley		2 → 1	X/			1	17	
	07200060E		Retaining Ring - M6		n → n-1	X/			101	17	
		A0691106	Belt Tightener - Main Drive		0 → 1	/O			3	17	

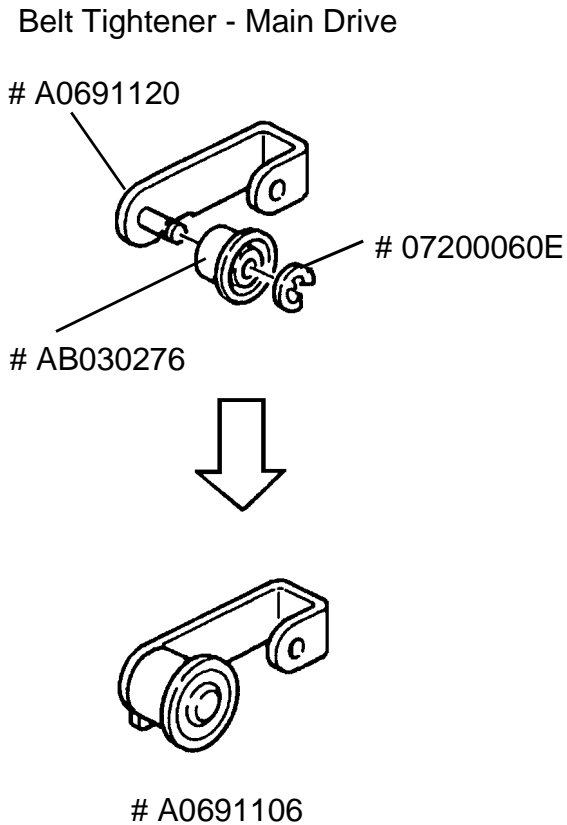
Rank: A : Replace with new parts immediately. B : Replace with new parts at time of repair. C : Replace with new parts at time of overhaul.

Interchangeability:

- (1) When old and new parts are not mutually interchangeable, use additional parts or an assembly part as indicated in "Parts needed for replacement by new part" to install the new part.
- (2) The mark to the left of the slash indicates whether the old part can be used in the new machine, and the mark to the right indicates whether the new part can be used in the old machine. x = Not interchangeable o = Interchangeable

DETAILS OF MODIFICATION

To standardize the belt tightener with copier, the belt tightener has been changed as shown.



S. Hamano, Assistant General Manager
Technical Support Department

MODEL NAME	V/Hz	DESTINATION	CODE	SERIAL NUMBER
NRG CB313 x 1	115/60	CANADA etc.	A325-16	
NRG CB313 x 1	230/50	EUROPE etc.	A325-25	
INFOTEC CB33/1	230/50	EUROPE	A325-26	
RICOH PS 140	230/50	EUROPE etc.	A325-27	
SAVIN Paper Tray Unit 9330/9335/9270	115/60	USA, CANADA	A326-15	4072110001
NRG CB313 x 3	115/60	CANADA etc.	A326-16	2872100001
RICOH PS250	115/60	USA, CANADA	A326-17	A3062090001
NRG CB313 x 3	230/50	EUROPE etc.	A326-25	2792090001
INFOTEC CB33/3	230/50	EUROPE	A326-26	3A90920001
RICOH PS250	230/50	EUROPE etc.	A326-27	A3062090335

Model	Paper Tray Unit for A7/N440	Volt/Hz	Date of Modification	Serial Number
Modified Article	Paper Size Decals			
Reason for Modification	To facilitate manufacturing and servicing			

To facilitate manufacturing and servicing, the paper size decals have been removed from the paper tray. Instead of these decals, the indications have been inscribed on the paper tray.

Old P/N	New P/N	Description	Q'ty Used	Inter-changeability	Parts Catalog	
					Index No.	Page
AA002138		Decal - Paper Size - A4	1 → 0		10 7	11 27
AA002137		Decal - Paper Size - LT	1 → 0		10 7	11 27
AA002136		Decal - Paper Size - A4	1 → 0		11 6	11 27
AA002135		Decal - Paper Size - LT	1 → 0		11 6	11 27

NOTE: These decals are available as service parts.

S. Hamano, Assistant General Manager
 Technical Support Department

MODEL NAME	V/Hz	DESTINATION	CODE	SERIAL NUMBER
NRG CB313 x 1	115/60	CANADA etc.	A325-16	
NRG CB313 x 1	230/50	EUROPE etc.	A325-25	
INFOTEC CB33/1	230/50	EUROPE	A325-26	
RICOH PS 140	230/50	EUROPE etc.	A325-27	
SAVIN Paper Tray Unit 9330/9335/9270	115/60	USA, CANADA	A326-15	
NRG CB313 x 3	115/60	CANADA etc.	A326-16	
RICOH PS250	115/60	USA, CANADA	A326-17	
NRG CB313 x 3	230/50	EUROPE etc.	A326-25	
INFOTEC CB33/3	230/50	EUROPE	A326-26	
RICOH PS250	230/50	EUROPE etc.	A326-27	

Model	Paper Tray Unit for A7/N440	Volt/Hz	Date of Modification	Serial Number
Modified Article	Positioning Bracket			
Reason for Modification	Due to vendor change			

Due to vendor change, the following parts have been changed.

Old P/N	New P/N	Description	Q'ty Used	Inter-change-ability	Parts Catalog	
					Index No.	Page
A0692824	A3262835	Large Positioning Bracket	6(2) → 6(2)	O/O	1	13
A0692826	A3262836	Small Positioning Bracket	3(1) → 3(1)	O/O	14	13

S. Hamano, Assistant General Manager
 Technical Support Department

MODEL NAME	V/Hz	DESTINATION	CODE	SERIAL NUMBER
NRG CB313 x 1	115/60	CANADA etc.	A325-16	
NRG CB313 x 1	230/50	EUROPE etc.	A325-25	
INFOTEC CB33/1	230/50	EUROPE	A325-26	
RICOH PS 140	230/50	EUROPE etc.	A325-27	
SAVIN Paper Tray Unit 9330/9335/9270	115/60	USA, CANADA	A326-15	
NRG CB313 x 3	115/60	CANADA etc.	A326-16	
RICOH PS250	115/60	USA, CANADA	A326-17	
NRG CB313 x 3	230/50	EUROPE etc.	A326-25	
INFOTEC CB33/3	230/50	EUROPE	A326-26	
RICOH PS250	230/50	EUROPE etc.	A326-27	

Model	Paper Tray Unit for A7/N440	Volt/Hz	Date of Modification	Serial Number
Modified Article	Paper Tray Control Board			
Reason for Modification	To increase reliability			

To increase reliability, the following electrical parts have been added to the paper tray control board.

Old P/N	New P/N	Description	Q'ty Used	Inter-changeability	Parts Catalog	
					Index No.	Page
A3255100	A3255102	Paper Tray Control Board (A325)	1 → 1	X/O	10 *	17 21
A3265100	A3265102	Paper Tray Control Board (A326)	1 → 1	X/O	10 *	17 21
	16001664	Fuse Resistor - 2Ω ±5% 1W	0 → 1(A325) 0 → 2(A326)		* 117	21
	16041386	Capacitor - 100MF ±20% 50V	0 → 1		* 118	21
	16060658	Capacitor - 0.1MF 50V	0 → 2(A325) 0 → 3(A326)		* 119	21

* New Index

**(A325)
Capacitor**

Symbol No.	Index No.
C103	119
C104	118
C105	119

Fuse Resistor

Symbol No.	Index No.
FUR101	117

**(A326)
Capacitor**

Symbol No.	Index No.
C103	119
C104	119
C105	118
C106	119

Fuse Resistor

Symbol No.	Index No.
FUR 101	117
FUR 102	117
FUR 103	117

S. Hamano, Assistant General Manager
 Technical Support Department

MODEL NAME	V/Hz	DESTINATION	CODE	SERIAL NUMBER
NRG CB313 x 1	115/60	CANADA etc.	A325-16	286212XXXX
NRG CB313 x 1	230/50	EUROPE etc.	A325-25	2882120001
INFOTEC CB33/1	230/50	EUROPE	A325-26	3A81220001
RICOH PS 140	230/50	EUROPE etc.	A325-27	A3052120001
SAVIN Paper Tray Unit 9330/9335/9270	115/60	USA, CANADA	A326-15	4072120001
NRG CB313 x 3	115/60	CANADA etc.	A326-16	4072120001
RICOH PS250	115/60	USA, CANADA	A326-17	2872120001
NRG CB313 x 3	230/50	EUROPE etc.	A326-25	2792120001
INFOTEC CB33/3	230/50	EUROPE	A326-26	3A91220001
RICOH PS250	230/50	EUROPE etc.	A326-27	A3062120006

Model: Paper Tray Unit for A7/N440	Date: 31-Jul-98	No.: 9
------------------------------------	-----------------	--------

MB Correction

Since the code is X/X, please replace the appropriate parts together to maintain compatibility when installing the new part on an old machine.

Modified Article: Guide Plate - Vertical Transport and Sensor Bracket		Prepared by: M.Kitajima	
From: GTSS Field Information Dept			
Reason for Modification:	<input type="checkbox"/> Parts catalog correction <input type="checkbox"/> To facilitate assembly <input type="checkbox"/> Part standardization	<input type="checkbox"/> Vendor change <input type="checkbox"/> To improve reliability <input type="checkbox"/> Other	<input type="checkbox"/> To meet standards ()

Old part number	New part number	Description	Qty	Int	Page	Index	Note
A3262825	A3262823	Guide Plate – Vertical Transport	1→1	X/X	7	12	X/O as a set
A3262830	A3262828	Sensor Bracket	1→1	X/X	7	17	
	11050199	Clamp	n→n+4		7	103	
	0434012W	Tapping Screw – M4x10	n→n+2		7	104	

- Remarks -

The old guide plate-vertical transport (P/N A3262825) is no longer produced. When installing the new guide plate (P/N A3262823) on the old machine, replace the sensor bracket with the new type (P/N A3262828) at the same time.

DETAILS OF MODIFICATION

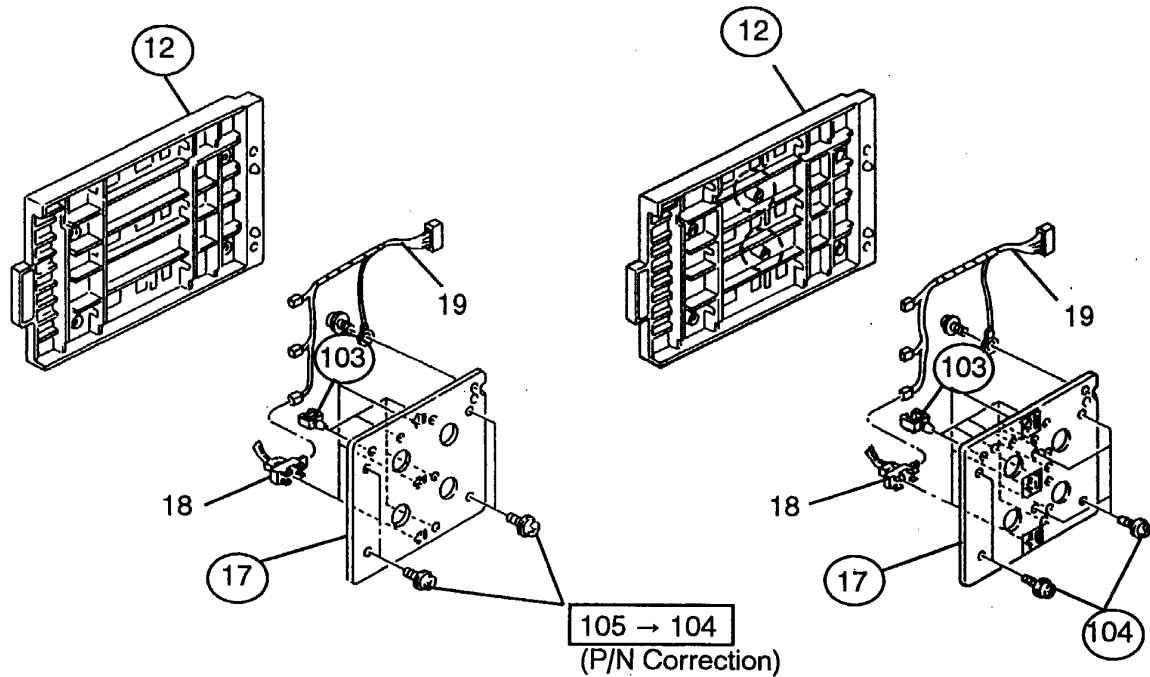
2. VERTICAL TRANSPORT SECTION

If the vertical transport guide plate (#12) warps, there is a slight possibility that the tray relay sensors (#18) may chatter, causing paper jams. To prevent the vertical transport guide plate from warping, the number of screws securing the guide plate to the sensor bracket (#17) has been increased from 4 to 6. To prevent the harness (#19) from being pinched by the screws, the number of clamps (#103) on the bracket has also been increased from 5 to 9.

NOTE: Parts catalog correction:

The index number of the screws for the sensor bracket should not have been 105 but 104.

Model: Paper Tray Unit for A7/N440	Date: 31-Jul-98	No.: 9
------------------------------------	-----------------	--------



MODEL NAME	V/ Hz	DESTINATION	CODE	SERIAL NUMBER
NRG CB313 x 1	115/ 60	CANADA etc.	A325- 16	/
NRG CB313 x 1	230/ 50	EUROPE etc.	A325- 25	
INFOTEC CB33/ 1	230/ 50	EUROPE	A325- 26	
RICOH PS 140	230/ 50	EUROPE etc.	A325- 27	
SAVIN Paper Tray Unit 9330/ 9335/ 9270	115/ 60	USA, CANADA	A326- 15	
NRG CB313 x 3	115/ 60	CANADA etc.	A326- 16	2872060001
RICOH PS250	115/ 60	USA, CANADA	A326- 17	A3062060001
NRG CB313 x 3	230/ 50	EUROPE etc.	A326- 25	2792060001
INFOTEC CB33/ 3	230/ 50	EUROPE	A326- 26	3A90620001
RICOH PS250	230/ 50	EUROPE etc.	A326- 27	A3062060396